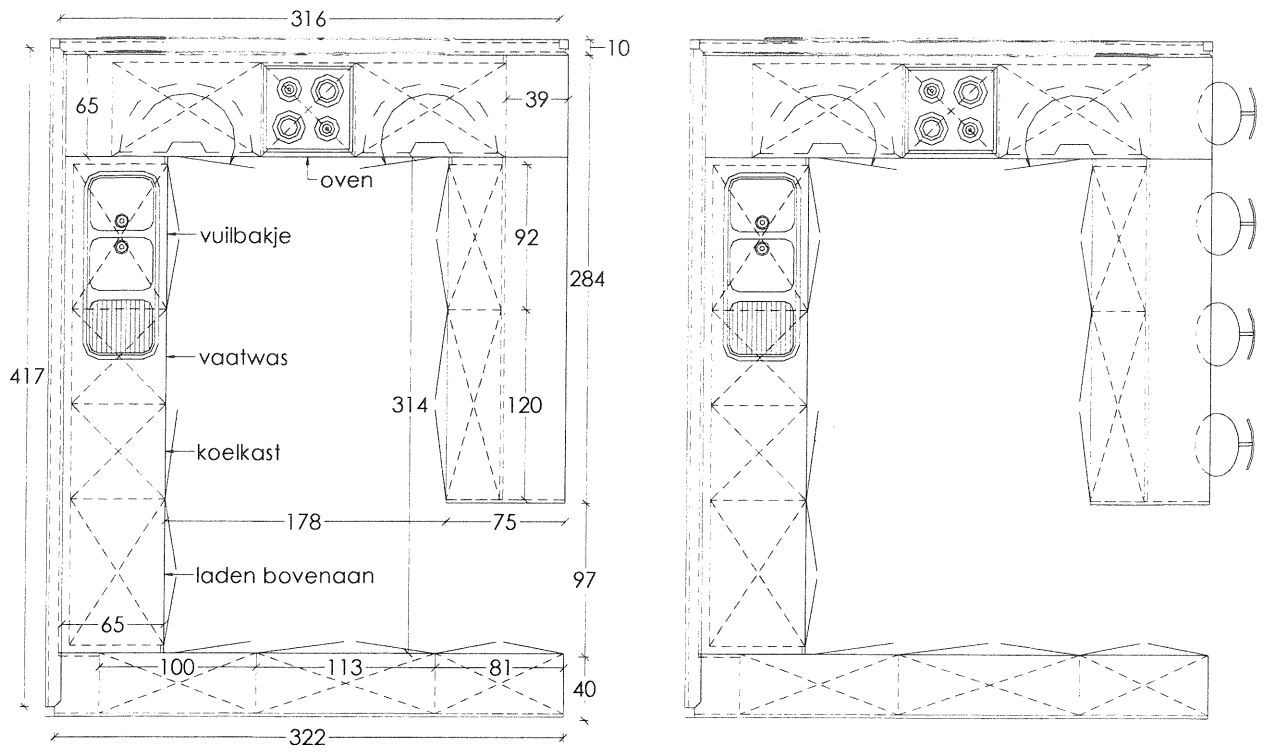


A - PLAN



A - ISOMETRIE

